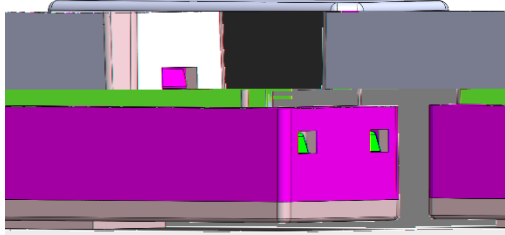


## MX0400



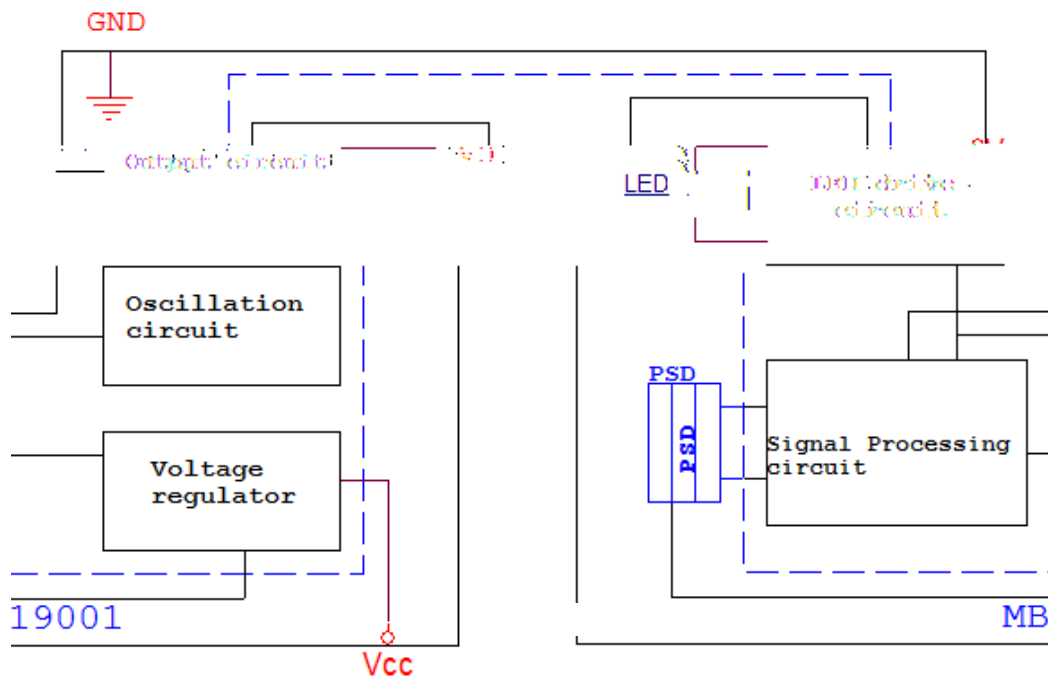
### Description

### Applications

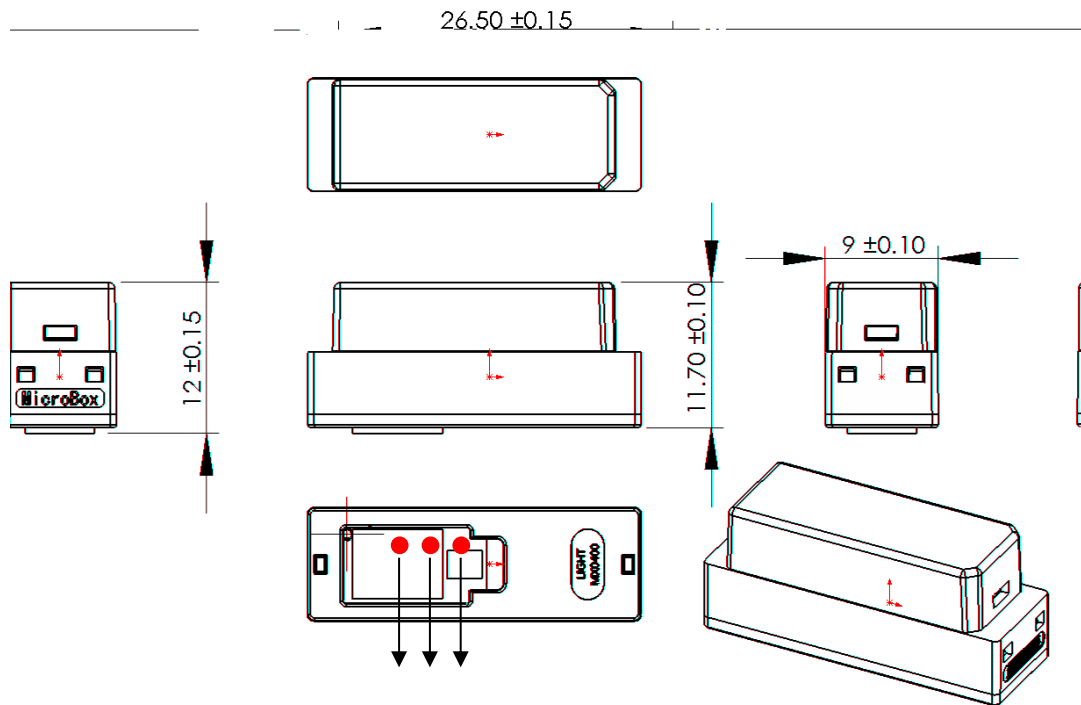
### Features

# LIGHT

## Schematic



## Outline



# LIGHT

pin	Note
Vcc	4.5V-5.5V
GND	NA
Vo	0-2.5V

## Absolute maximum ratings

Supply voltage	Vcc	0 to +6.8	V
Output terminal Voltage	Vo	-0.3 to +0.3	V
Operating temperature	Topr	-10 to +60	°C
Storage temperature	Tstg	-40 to +70	°C

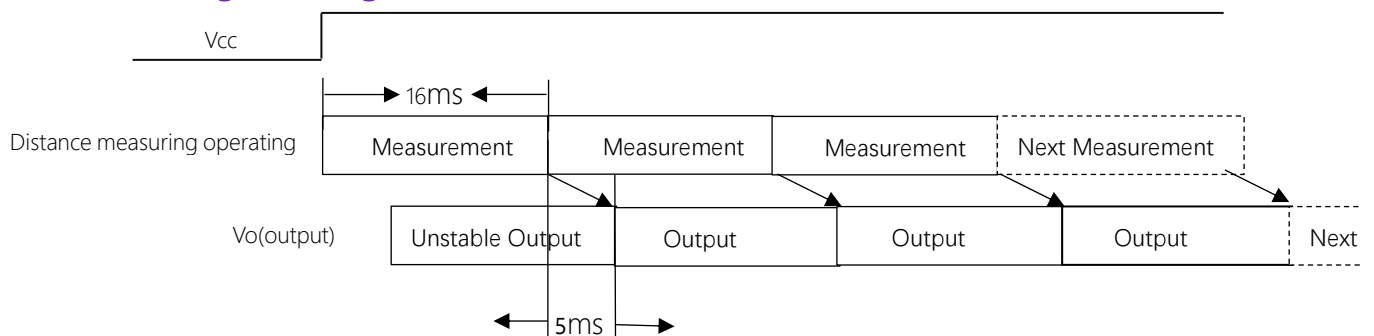
## Operating supply voltage

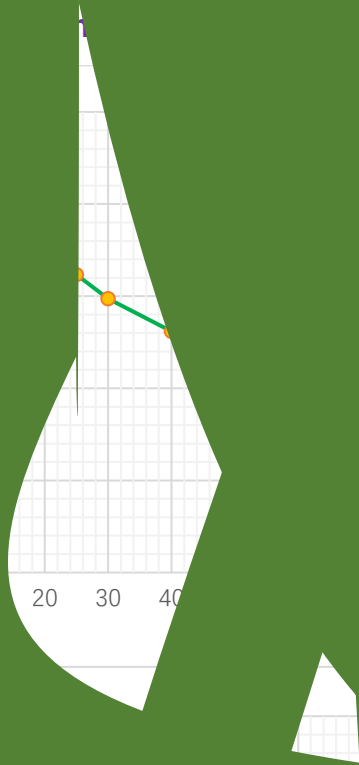
Vcc	4.5 to 5.5	V

## Electro-optical characteristics

Measuring distance range		NA	15		150	mm
Output terminal Voltage	Vo	L=20mm		1.81		V
Output voltage difference		15mm-150mm	0.94		2.1	V
Average supply current	Icc	L=150mm		10		mA

## Timing charting





---

■ Notes

Methods for the optics

- Lenses of this device should be kept clean'. (here are cases that dust, water or oil and so on deteriorate the

