

LIGHT

LIGHT ELECTRONICS CO., LTD.

Electro-Optical Characteristics

◇ Absolute Maximum Ratings (Temperature=25°C)

Parameter	Symbol	Rating	Unit
Forward Current	I_F	25	mA
Pulse Forward Current*	I_{FP}	100	mA
Reverse Voltage	V_R	5	V
Operating Temperature	T_{OPR}	-30 ~ +85	
Storage Temperature	T_{stg}	-40 ~ +100	
Power Dissipation	Red	60	mW
	Green	90	
	Blue	90	

* 0.1ms 1/10 * Note: Pulse Width 0.1ms, Duty 1/10

◇ Electro-Optical Characteristics (Temperature=25°C)

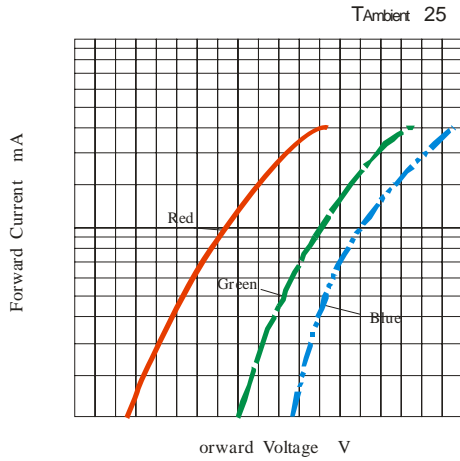
Parameter	Symbol	Condition	Color	Min.	Typ.	Max.	Unit
Reverse Current	I_R	$V_R=5V$	Red			10	μA
			Green			10	
			Blue			10	
Forward Voltage	V_F	$I_F=15mA$	Red	1.8	2.0	2.4	V
		$I_F=8mA$	Green	2.4	3.0	3.6	
		$I_F=5mA$	Blue	2.4	3.0	3.6	
Dominant Wavelength	λ_D	$I_F=15mA$	Red	615	622	630	nm
		$I_F=8mA$	Green	515	525	535	
		$I_F=5mA$	Blue	465	470	480	
Spectrum Radiation Bandwidth	$\Delta\lambda$	$I_F=15mA$	Red			24	nm
		$I_F=8mA$	Green			38	
		$I_F=5mA$	Blue			28	
Luminous Intensity	I_V	$I_F=15mA$	Red	310	470	700	mcd
		$I_F=8mA$	Green	500	750	1200	
		$I_F=5mA$	Blue	70	120	180	
View Angle	$2\theta_{1/2}$				110		deg.

以上 厂商

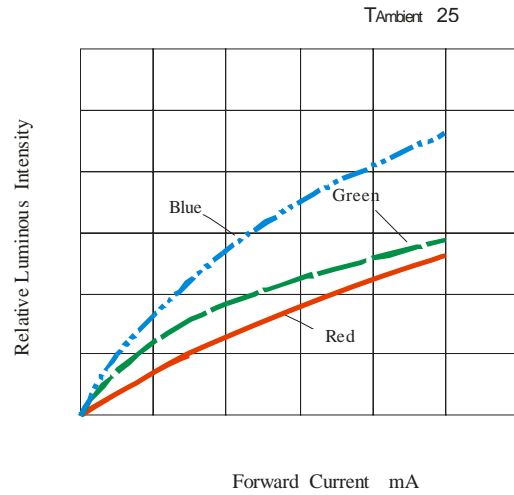
* Note: The parameters above only for your reference. In case of any discrepancy, please adhere to the label of our actual products. All parameters tested by the standard testing system of manufacturer.

Typical Characteristics Curves

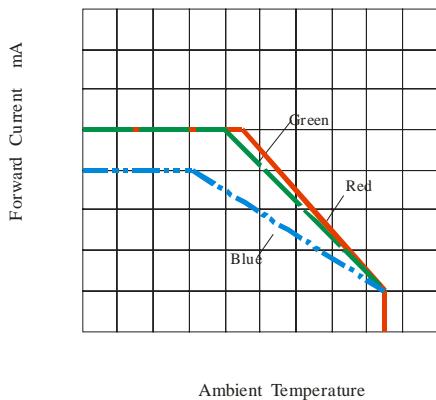
Volt Ampere Characteristics



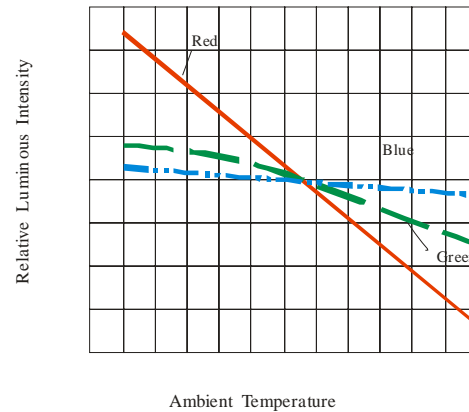
Relative Luminous Intensity VS Forward Current



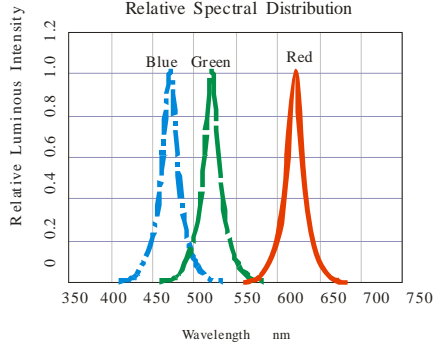
Forward Current Derating Curve



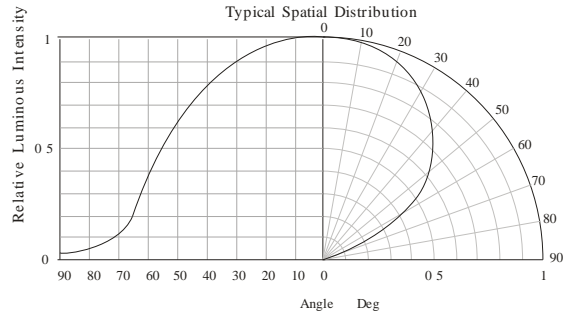
Luminous Intensity VS Ambient Temperature

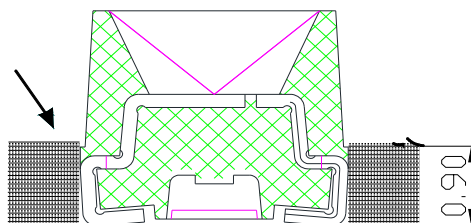


Relative Spectral Distribution



Typical Spatial Distribution





LIGHT

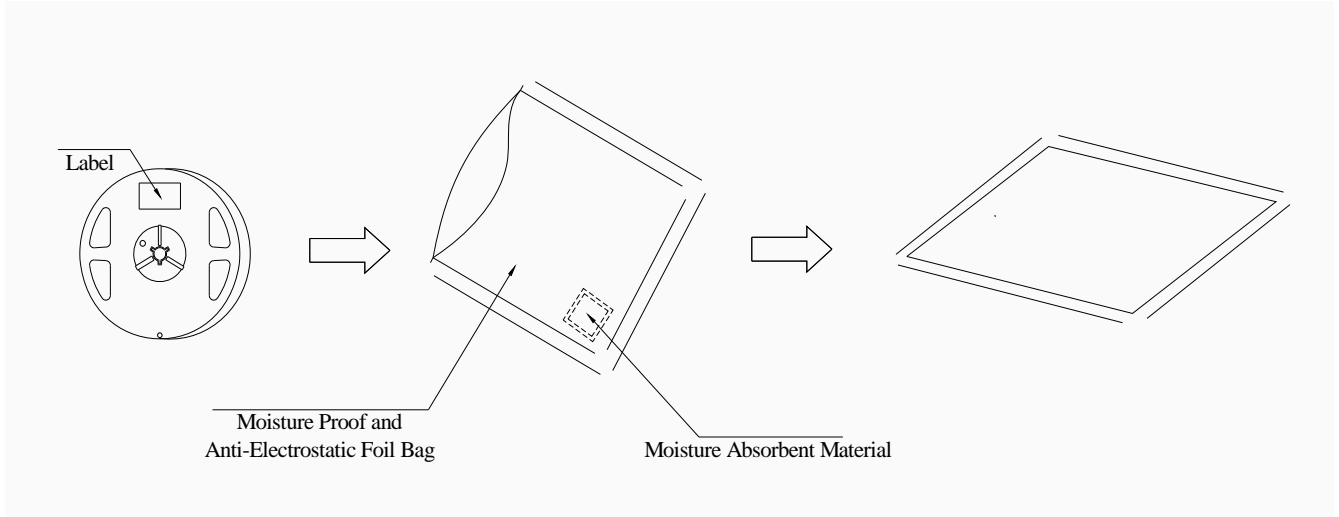
LIGHT ELECTRONICS CO., LTD.

2

Packaging(2)



Moisture Proof and Anti-Electrostatic Foil Bag



Cardboard Box



Label Explanation

L

LIGHT ELECTRONICS CO., LTD.



2

Guideline for Soldering (2)

Reflow soldering should not be done more than one time.

LED

Stress on the LEDs should be avoided during heating in the reflow soldering process.

After soldering, do not deal with the product before its temperature drop down to room temperature.

3.

Cleaning

	30	3	50
30		LED	

It is recommended that alcohol Anhydrous ethanol be used as a solvent for cleaning after soldering. Cleaning is to go under 30 for 3 minutes or 50 for 30 seconds. When using other solvents, it should be confirmed beforehand whether the solvents will dissolve the package and the resin or not.

300W LED

LED

Ultrasonic cleaning is also an effective way for cleaning. The influence of Ultrasonic cleaning on LED depends on factors such as ultrasonic power. Generally, the ultrasonic power should not be higher than 300W, otherwise it will cause LED damage. Before cleaning, a pre-test should be done to confirm if any damage to LEDs will occur.

PCB

(2)

Precautions (2)

3.

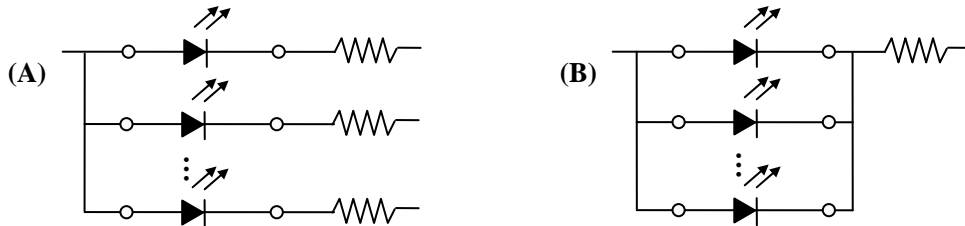
Design Consideration

- LED

In designing a circuit, the current through each LED must not exceed the absolute maximum rating specified for each LED. In the meanwhile, resistors for protection should be applied, otherwise slight voltage shift will cause big current change which will probably lead to damage.

- A LED B
LED V_F LED

It is recommended to use Circuit A which regulates the current flowing through each LED rather than Circuit B. When driving LEDs with a constant voltage in Circuit B, the current through the LEDs may vary due to the variation in Forward Voltage (V_F) of the LEDs. In the worst case, some LED may be subjected to stress in the excess of the Absolute Maximum Rating.



- LED LED

Thermal Design is paramount importance because heat generation may result in the Characteristics decline, such as brightness decrease, Color change and so on. Please consider the heat dissipation when making the system design.

4.

Reverse voltage protection

- LED LED
LED
LED 5V

- In general, the reverse current of LED is very small, which won't affect the normal use of components. But when it is often suffered the reverse voltage which exceeds the limit of the component then it will be damaged.

(3)

Precautions (3)

Such as the reverse current increase rapidly. And it will cause the string light when the screen is black. So please pay attention to controlling the reverse voltage which less than 5V is recommended.

5.

The safe temperature for LEDs working

- LED

55

75

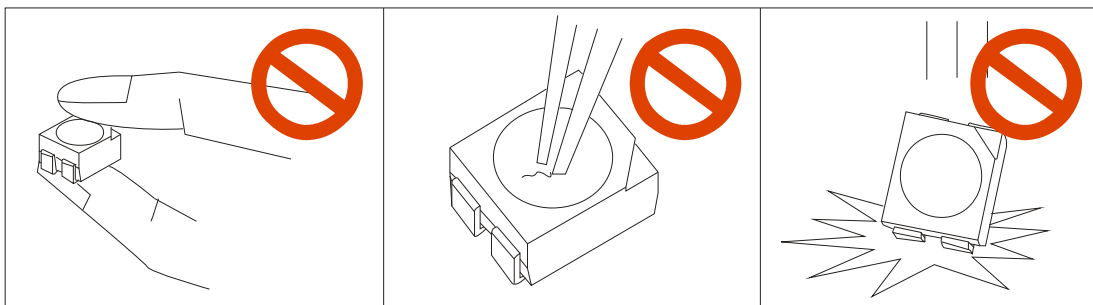
The high temperature will make the LEDs' Luminous Intensity decreased radically, if LEDs are used in hot environment for a long time, they will be disabled easily. When LEDs are used in a high density array, we suggest that the LEDs' surface temperature should be lower than 55 and the legs' temperature should be lower than 75 .

6.

Others

-

When handling the product, touching the encapsulation with bare hands will not only contaminate its surface, but also have an effect on its optical characteristics. Excessive force to the encapsulation might result in catastrophic failure of the LEDs due to die breakage or wire deformation. For this reason, please do not put excessive stress on LEDs, especially when the LEDs are heated such as during Reflow Soldering.



- LED

The epoxy resin of encapsulation is fragile, so please avoid scratch or friction over the epoxy resin surface.

While handling the product with tweezers, do not hold by the epoxy resin, be careful.