

# **LG-ITR2C-252117**

## **DATA SHEET**

SPEC.NO.: SZ19090501  
DATE: 2019/09/09  
REV. A/1

Approved By:

Checked By:

Prepared By:

## ■ Features

- 
- 
- 
- 
- 
- 

## ■ Descriptions

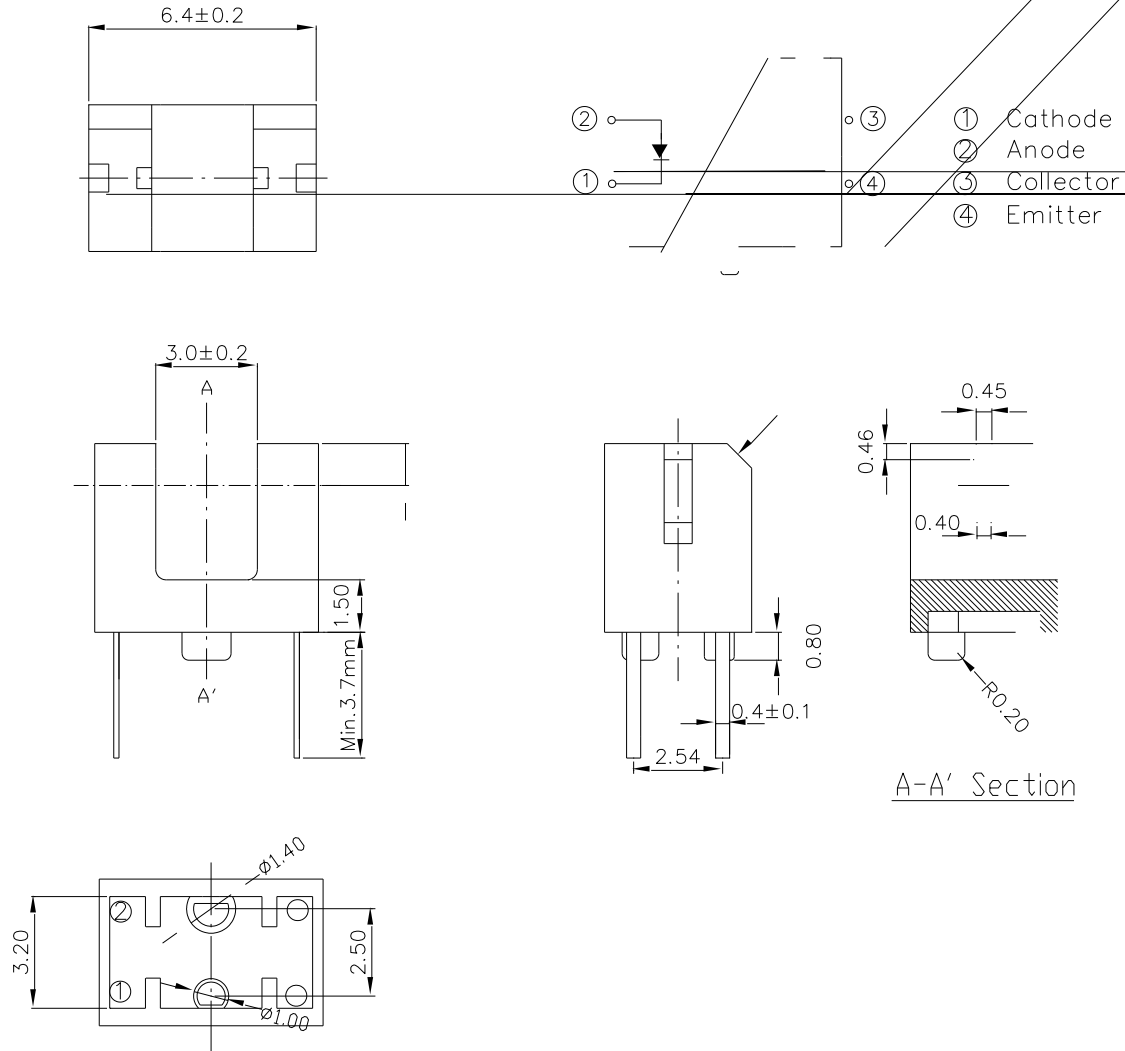
## ■ Applications

- 
- 
- 
- 
- 

## ■ Device Selection Guide

Device No.	Chip Material	LENS COLOR

## Package Dimensions



### ■ Absolute Maximum Ratings (Ta=25°C)

	°C			
	≤ μ			
				°C
				°C
				°C

\* μ \*

### ■ Electro-Optical Characteristics (Ta=25°C)

						μ
						μ
					μ	
		λ				
		θ				
					μ	
					μ	
						Ω



